

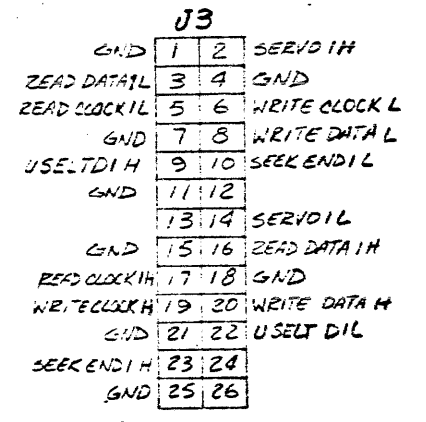
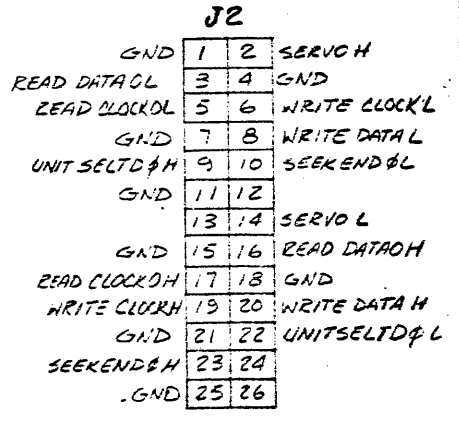
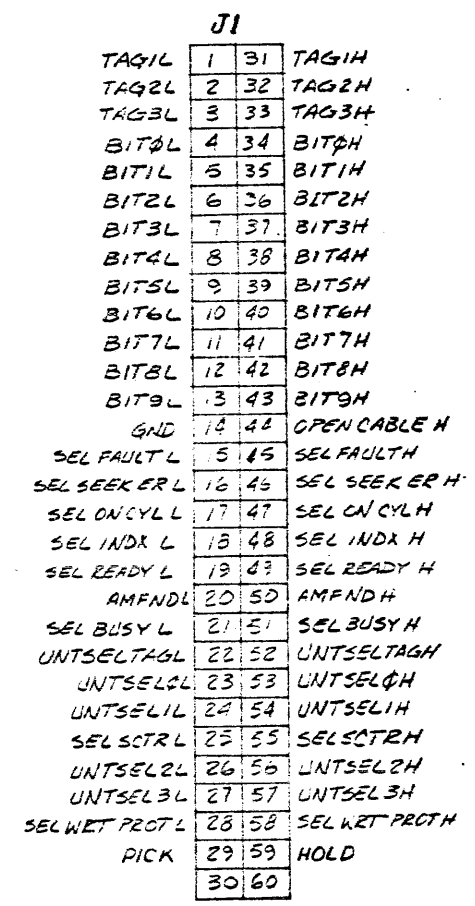
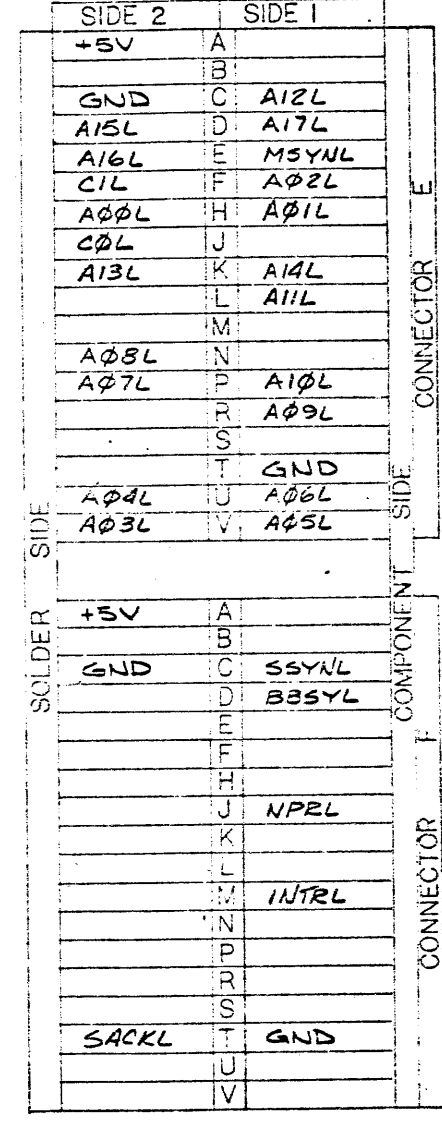
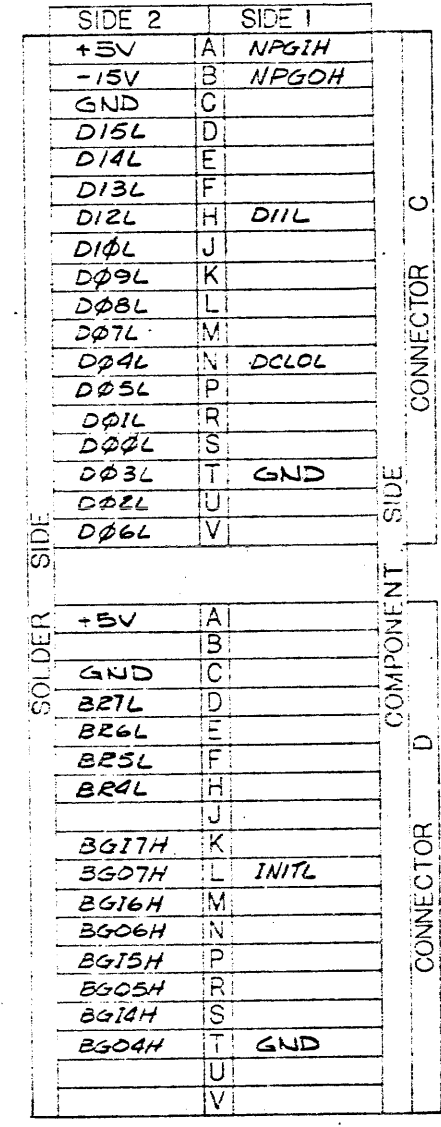
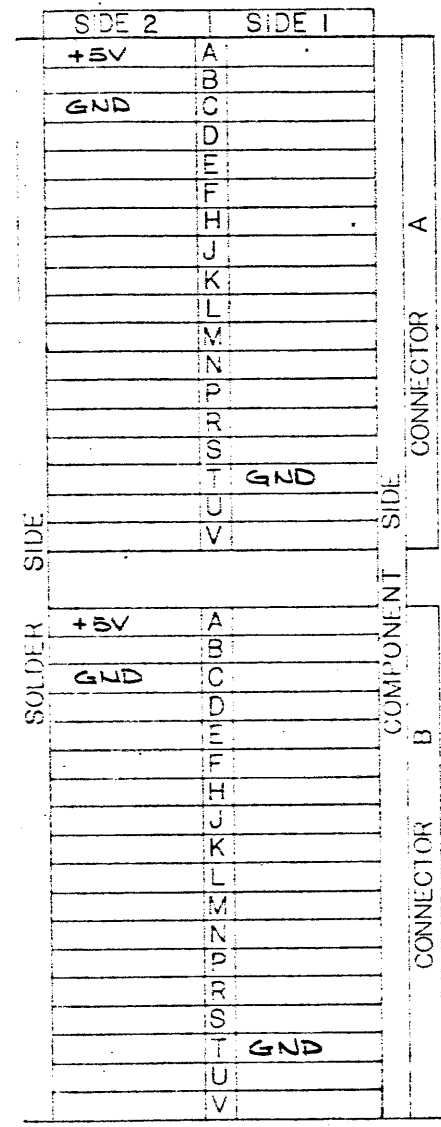


ZONE	REV	DATE	APPROVED
A	REL TO PROD PER EO 3287	10-9-79	[Signature]
B	INCORP EO 33424-1-2	12-7-79	[Signature]
C	INCORP EO 3524	2-12-80	[Signature]

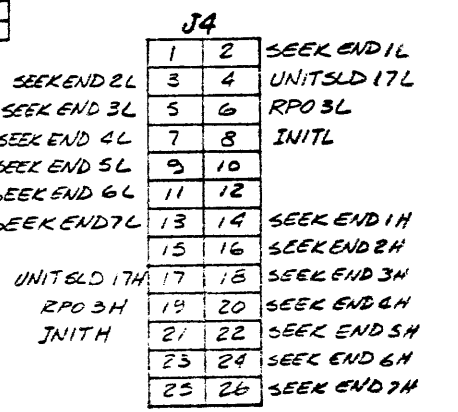
LAST REFERENCE DESIGNATION USED	
INTEGRATED CIRCUIT	U155
CAPACITOR	C68
RESISTOR	R31
RESISTOR MODULE	RU55
DIODE	CR2
SWITCH	SW3
VOLTAGE REGULATOR	VR1
CRYSTAL	Y1

REFERENCE DESIGNATION NOT USED	
CAPACITOR	CR2
INT CKT	U98,126

REF DESIG	GATES USED PER TOTAL	PART NUMBER
U29	3/4	74LS00
U31	1/4	136000-038
U42	3/4	74508
U155	1/2	75452
U46	4/6	74504
U52	3/6	74504
U54	5/6	74LS04
U68	2/4	136000-038
U152	1/2	74574
U70	1/4	74LS00
U76	2/3	74510
U97	1/2	74123
U45	3/4	74LS00
U125	3/4	74500
U154	1/3	74510
U137	3/4	74LS00
U138	4/6	74504



REF DESIG	GATES USED PER TOTAL	PART NUMBER
U151	3/6	74504
U153	2/4	74502



- 7. U123 PIN 9 IS GROUNDED FOR -101 VERSION ONLY.
- 6. ALL DIODES ARE 136000-001
- 5. CAPACITOR VALUES ARE MICROFARADS.
- 4. RESISTOR VALUES ARE IN OHMS, 1/4W, ± 5%.
- 3. DESIGNATIONS SHOWN IN PARENTHESIS INDICATES WHERE SIGNAL ORIGINATES OR TERMINATES.  
(2/B3)
- 2. SIGNALS SHOWN IN RECTANGLES ARE I/O CONNECTIONS.  
[A A1]

1. FOR ASSEMBLY DRAWING SEE 703380  
NOTES: UNLESS OTHERWISE SPECIFIED:

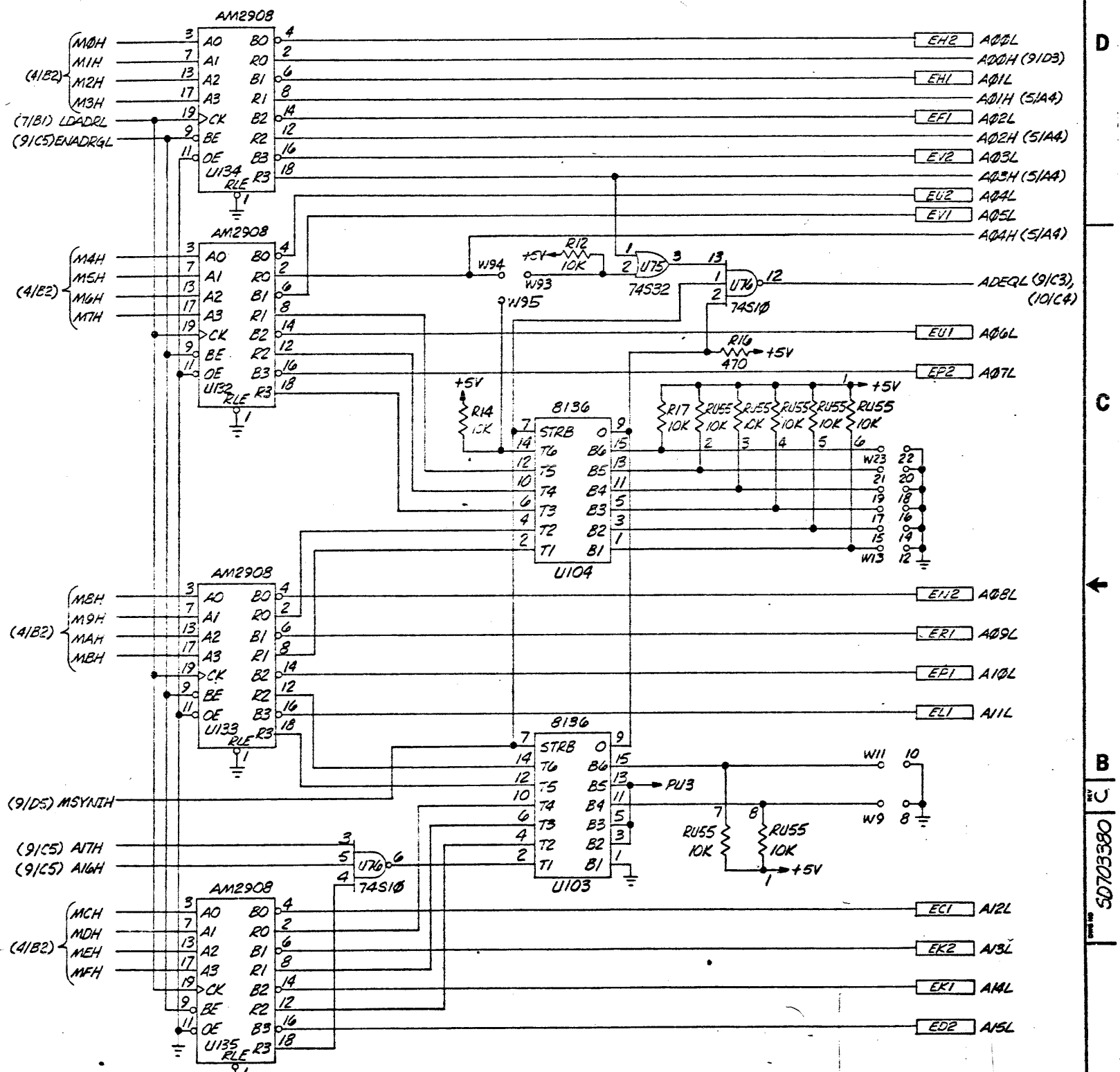
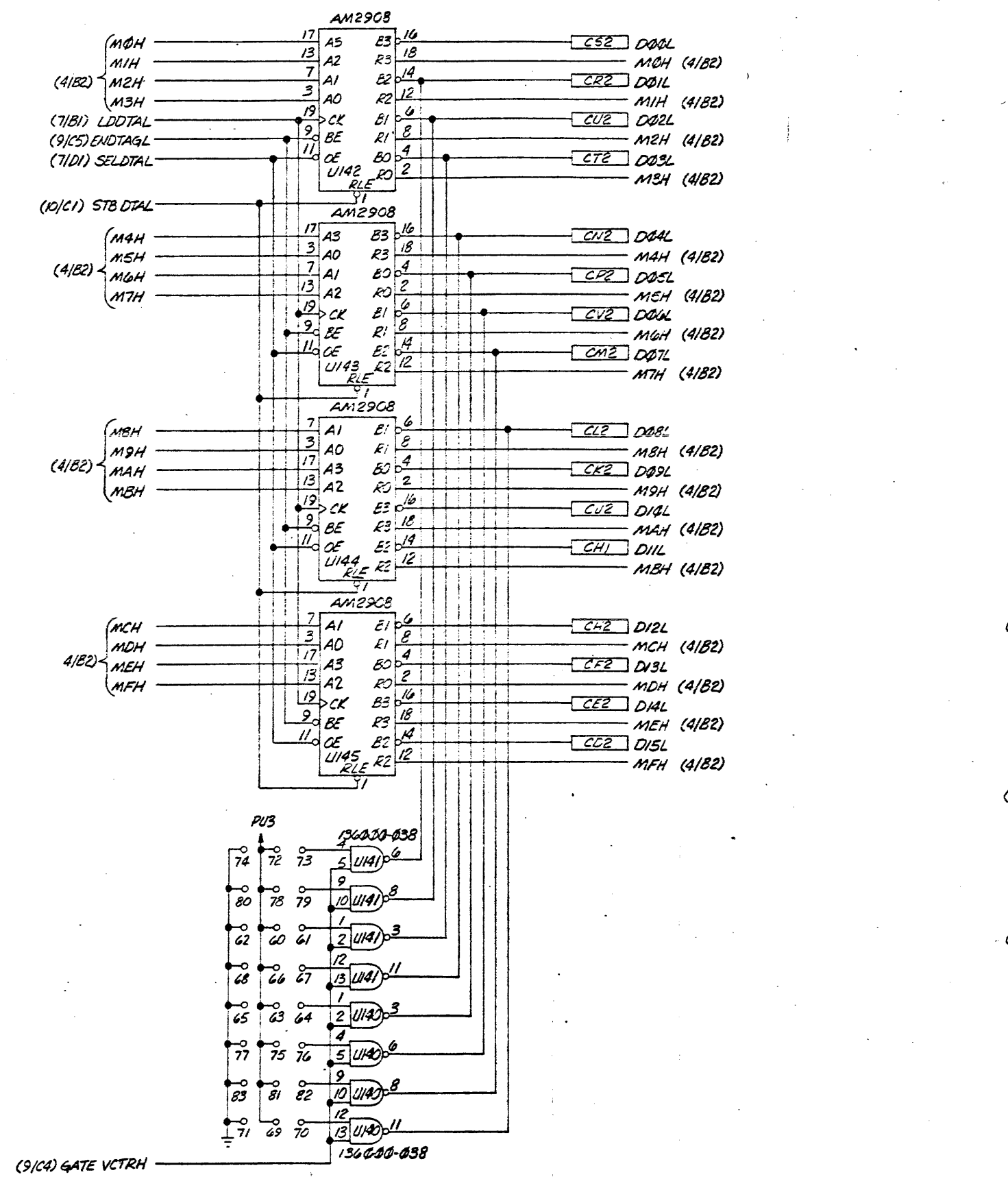
PRODUCTION RELEASE

PART/ASSY NO. & QTY PER ASSY		NOMENCLATURE OR DESCRIPTION / MATERIAL		SPEC/SOURCE	CODE IDENT NO.	FIND NO.
PART/ASSY REV LTR		CONTRACT NO.		Plessey Microsystems		
DO NOT SCALE DRAWING		DRAWN BY: [Signature]		DATE: [Date]		
CHECKED BY: [Signature]		ENGR: [Signature]		PROJECT: [Project Name]		
703380-100-PM-DS1100		PRD. DESIGN: [Signature]		SIZE / COLE IDENT NO. / UWS NO.		
APPLICATION		APPROVALS:		D 52648 SD703380		
				SHEET 1 OF 13		

REVISIONS				
ZONE	LTR	DESCRIPTION	DATE	APPROVED
		SEE SHEET 1		

UNITBUS DATA / ADDRESS REGISTER

The information herein is the property of PLESSEY PERIPHERAL SYS. Transmittal receipt or possession of the information does not constitute license or any rights to use, sell, or manufacture from this information and no reproduction or disclosure of it, in whole or in part, shall be made without written authorization from PLESSEY PERIPHERAL SYS.

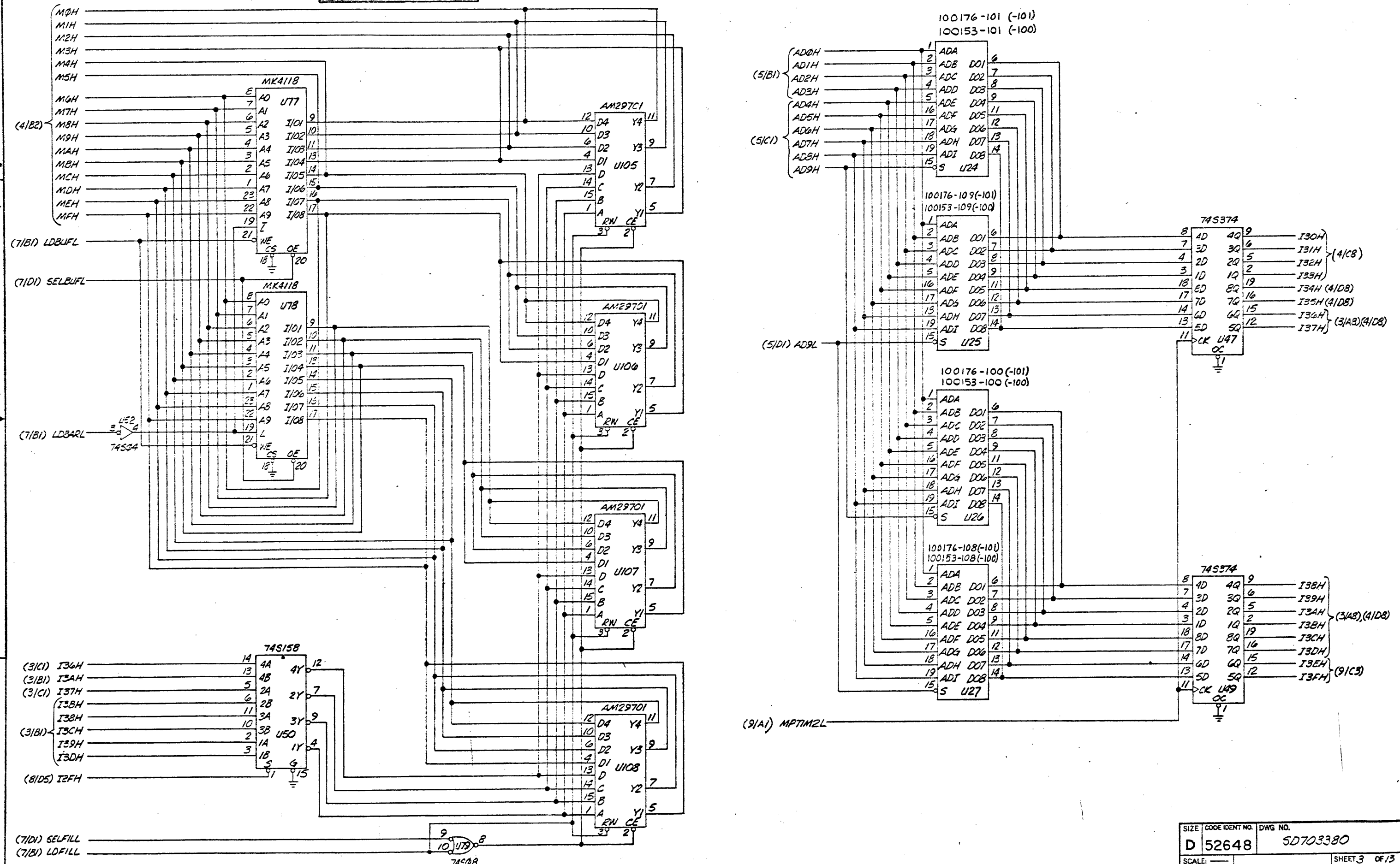


SIZE	CODE IDENT NO.	DWG NO.
D	52648	SD703380
SCALE:		SHEET 2 OF 3
		DISTR NO.

The information hereon is the property of PLESSEY PERIPHERAL SYS. Transmittal hereof or possession of the information does not constitute, license, or imply any rights to use, sell, or manufacture from this information and no reproduction or publication of it in whole or in part shall be made without written authorization from PLESSEY PERIPHERAL SYS.

**SECTOR BUFFER  
EXTENDED REGISTER FILE**

REVISIONS				
ZONE	LTR	DESCRIPTION	DATE	APPROVED
/		SEE SHEET 1		



SIZE	CODE IDENT NO.	DWG NO.
D	52648	5D703380
SCALE	SHEET 3 OF 13	
DISTR NO.		

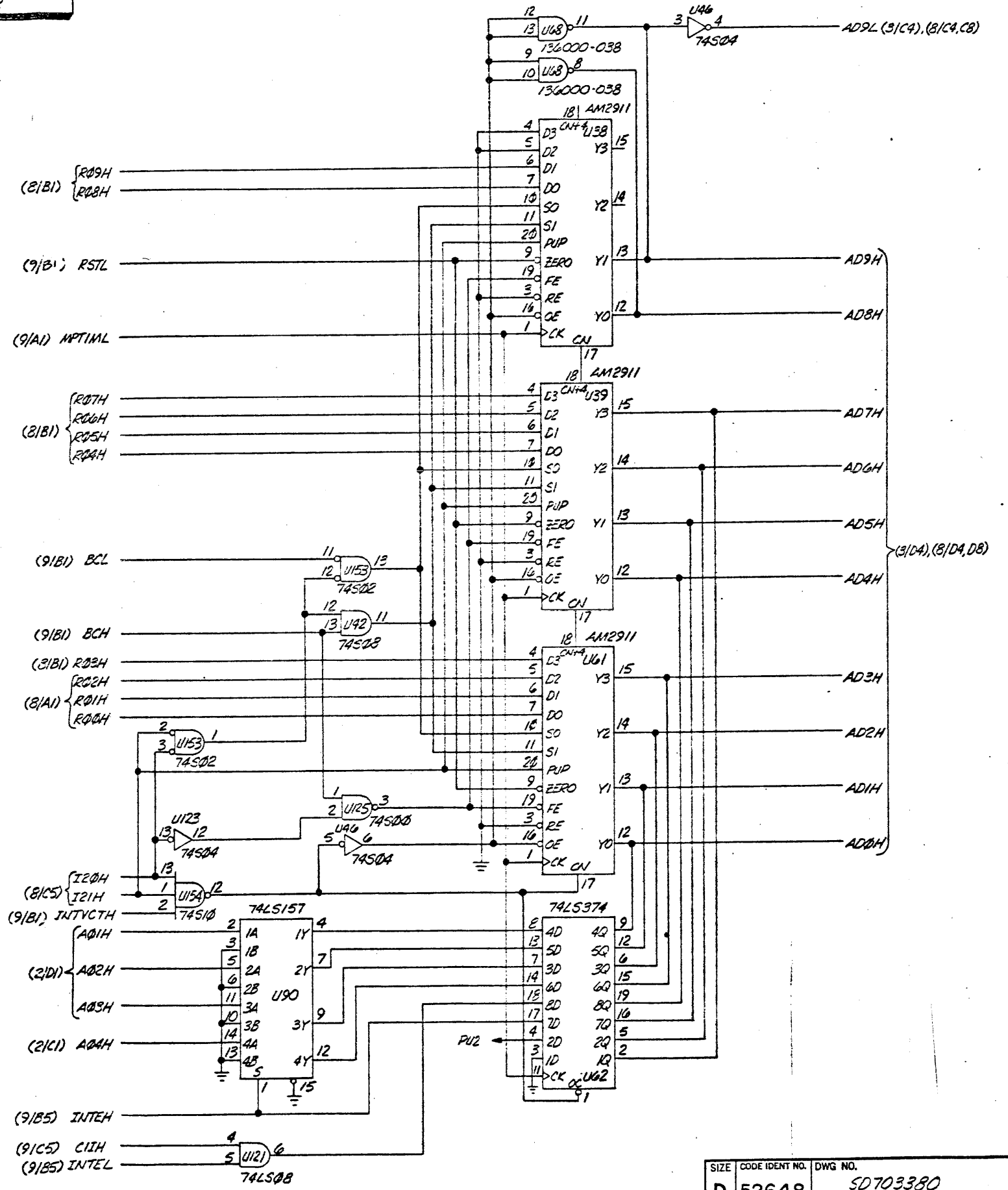
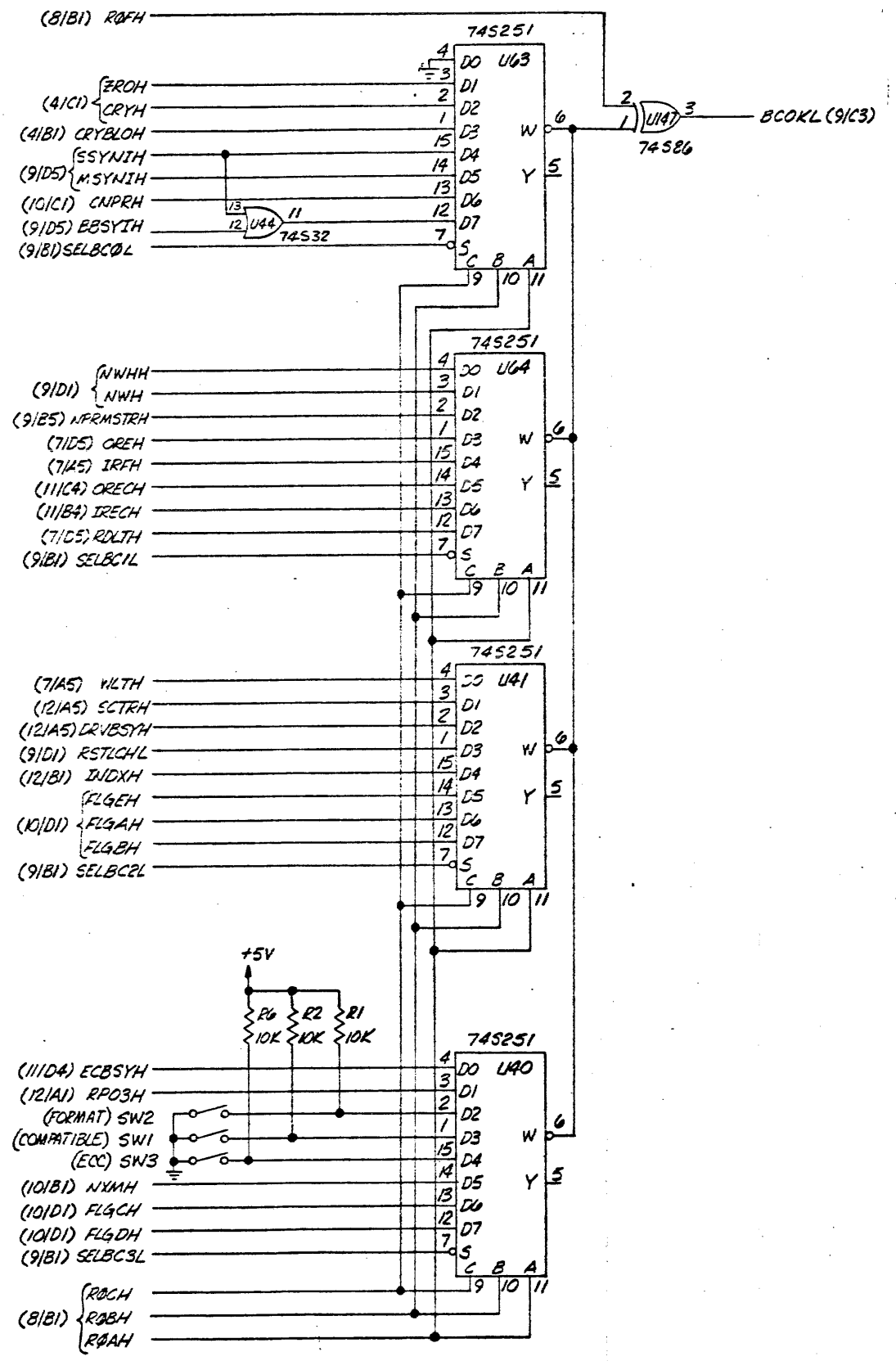




The information herein is the property of PLESSEY PERIPHERAL SYS. Transmittal hereof or possession of the information does not constitute license, or imply any right to use, sell, or manufacture from this information and no reproduction or publication of it, in whole or in part, shall be made without written authorization from PLESSEY PERIPHERAL SYS.

BRANCH CONDITION MUX MP SEQUENCER

REVISIONS				
ZONE	LTR	DESCRIPTION	DATE	APPROVED
		SEE SHEET 1		

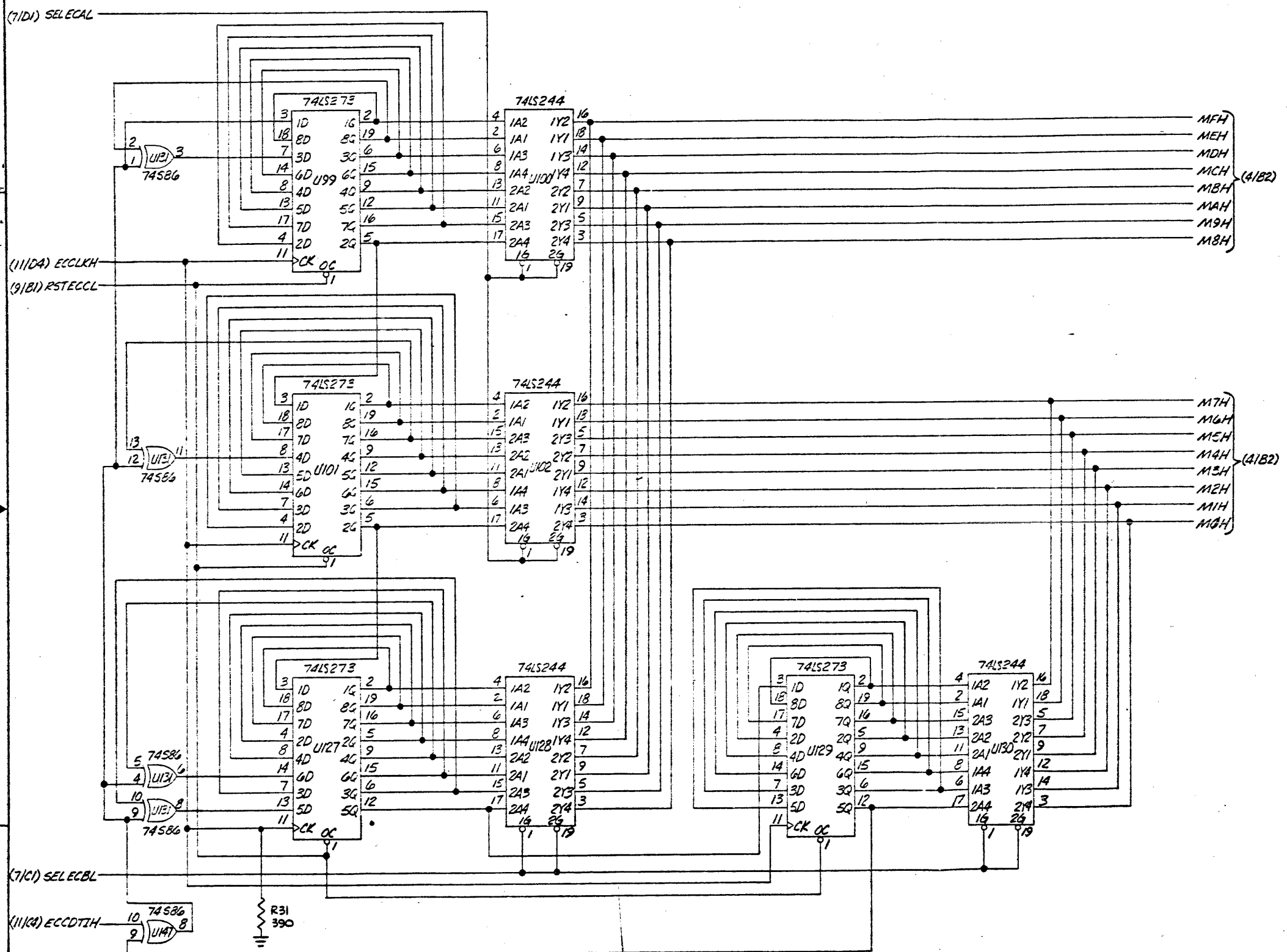


SIZE	CODE IDENT NO.	DWG NO.
D	52648	SD703380
SCALE:		SHEET 5 OF 13
		DISTR NO.

The information herein is the property of PLESSEY PERIPHERAL SYS. Transmittal, receipt or possession of the information does not constitute, license, or imply any rights to use, sell, or manufacture from this information and no reproduction or publication of it, in whole or in part, shall be made without written authorization from PLESSEY PERIPHERAL SYS.

ECC GENERATOR / CHECKER  
ECC REGISTER

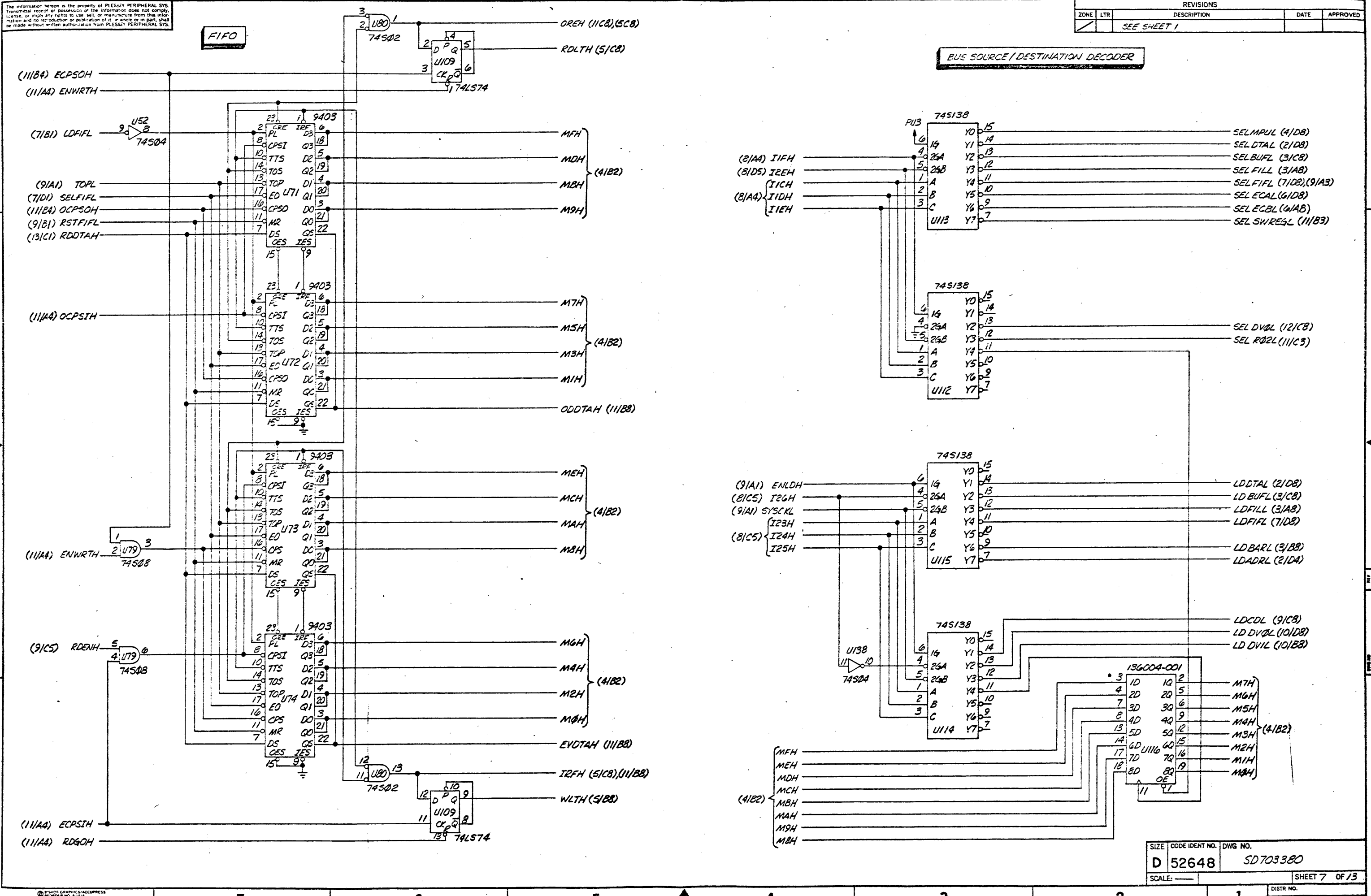
REVISIONS				
ZONE	LTR	DESCRIPTION	DATE	APPROVED
/		SEE SHEET 1		



SIZE	CODE IDENT NO.	DWG NO.
D	52648	SD703380
SCALE:	SHEET 6 OF 13	
DISTR NO.		

The information herein is the property of PLESSEY PERIPHERAL SYS. Transmittal hereof or possession of the information does not imply license, or imply any rights to use, sell, or manufacture from this information and no reproduction or publication of it, in whole or in part, shall be made without written authorization from PLESSEY PERIPHERAL SYS.

REVISIONS				
ZONE	LTR	DESCRIPTION	DATE	APPROVED
		SEE SHEET 1		

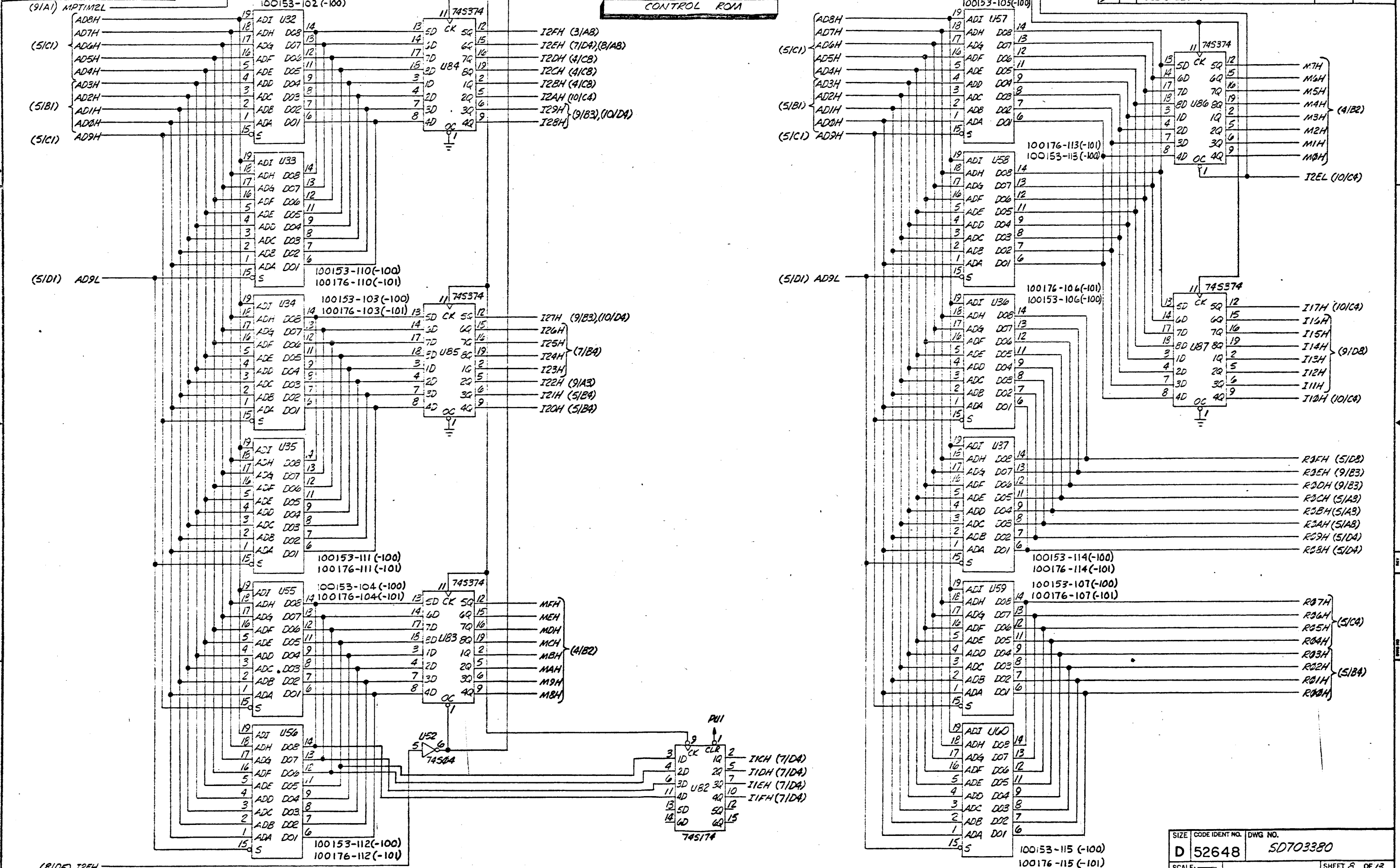


SIZE	CODE IDENT NO.	DWG NO.
D	52648	SD703380
SCALE	SHEET 7 OF 13	



The information herein is the property of PLESSEY PERIPHERAL SYS. Transmittal receipt or possession of the information does not imply, license, or imply any rights to use, sell, or manufacture from this information and no reproduction or publication of it, in whole or in part, shall be made without written authorization from PLESSEY PERIPHERAL SYS.

REVISIONS				
ZONE	LTR	DESCRIPTION	DATE	APPROVED
		SEE SHEET 1		



(8105) I2EH

SIZE	CODE IDENT NO.	DWG NO.
D	52648	SD703380
SCALE:		SHEET 8 OF 13

SD703380

A

B

C

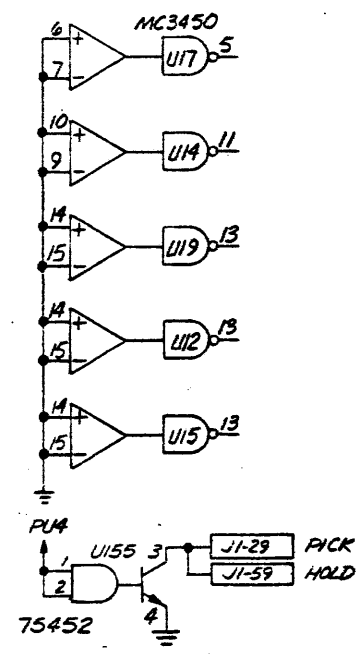
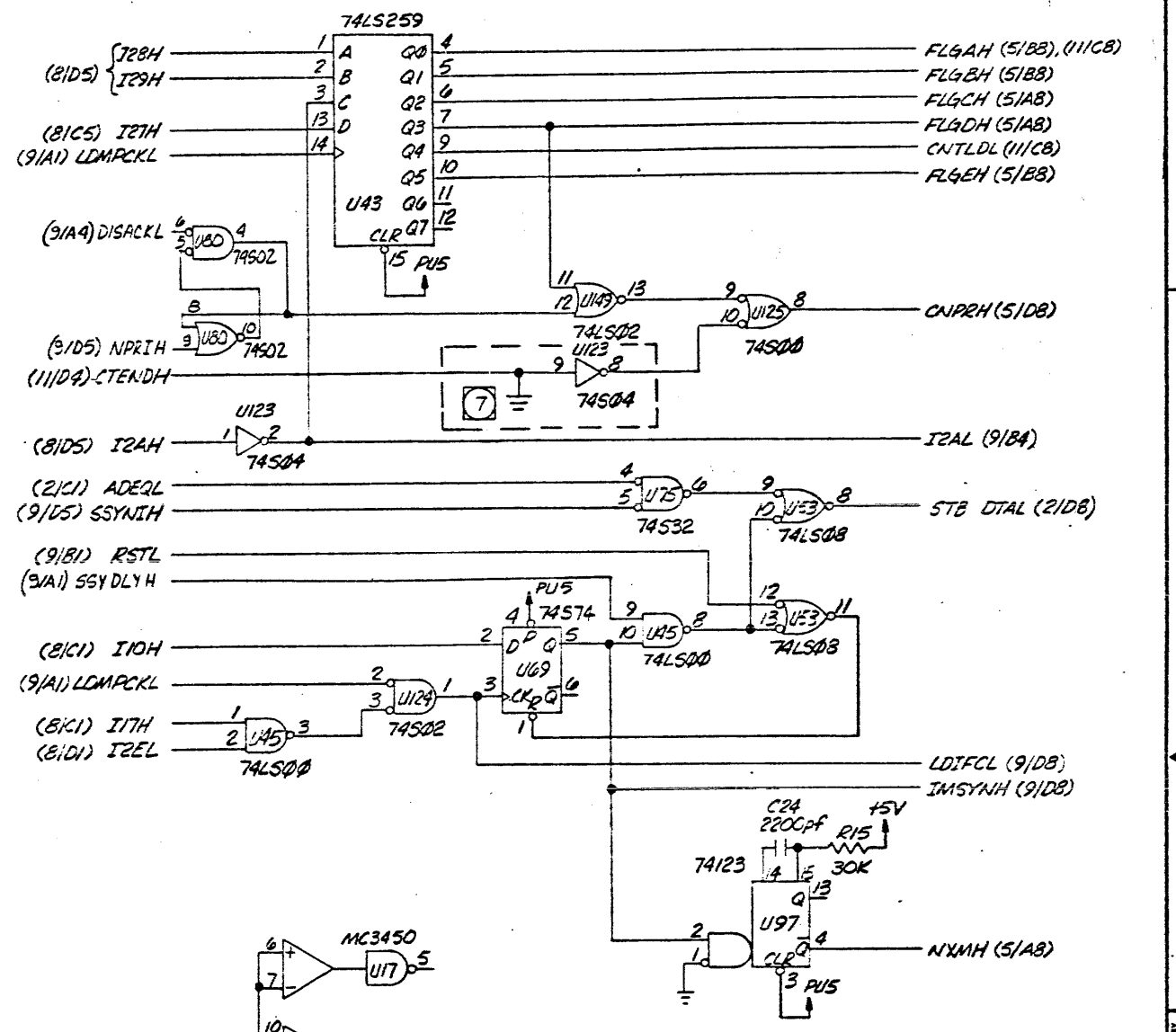
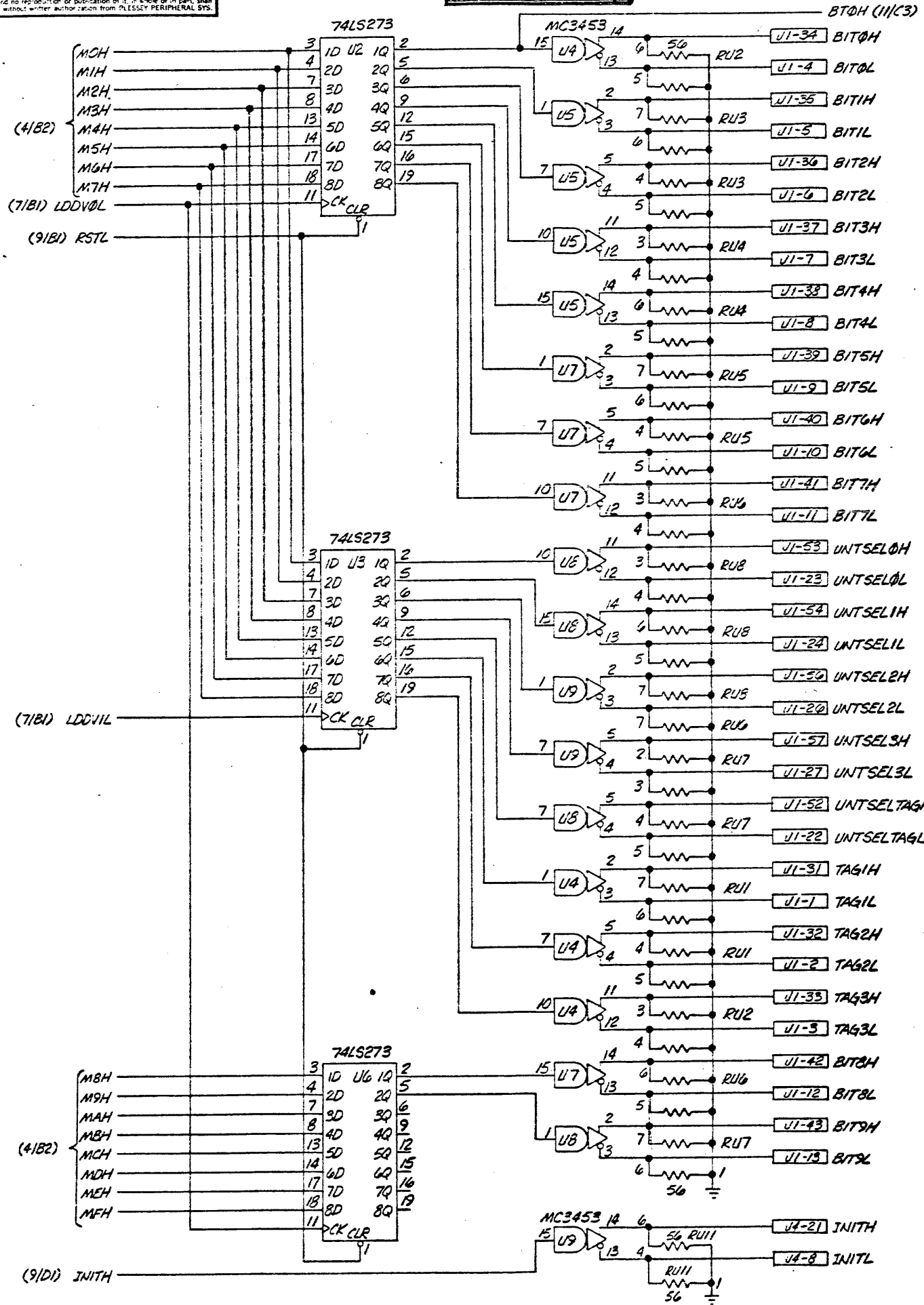
D



The information herein is the property of PLESSEY PERIPHERAL SYS. Transmittal, use or possession of the information does not constitute, in whole or in part, a license or authority to use, sell, or manufacture from the information and no reproduction or publication of it, in whole or in part, shall be made without written authorization from PLESSEY PERIPHERAL SYS.

**DRIVE INTERFACE OUT**

REVISIONS				
ZONE	LTR	DESCRIPTION	DATE	APPROVED
/		SEE SHEET 1		



SIZE	CODE IDENT NO.	DWG NO.
D	52648	SD703380
SCALE:		SHEET 10 OF 13
		DISTR NO.

D

C

B

A

SD703380

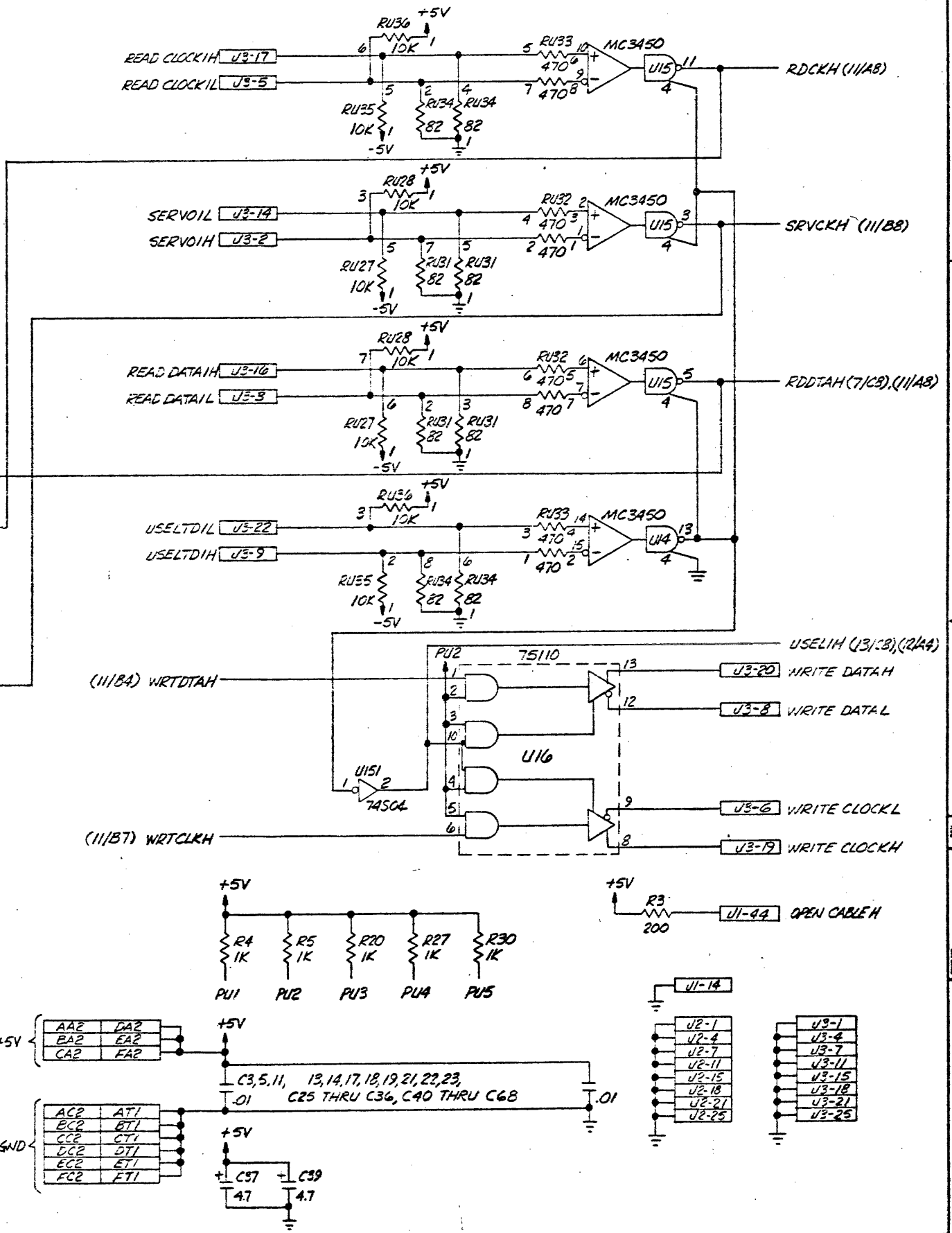
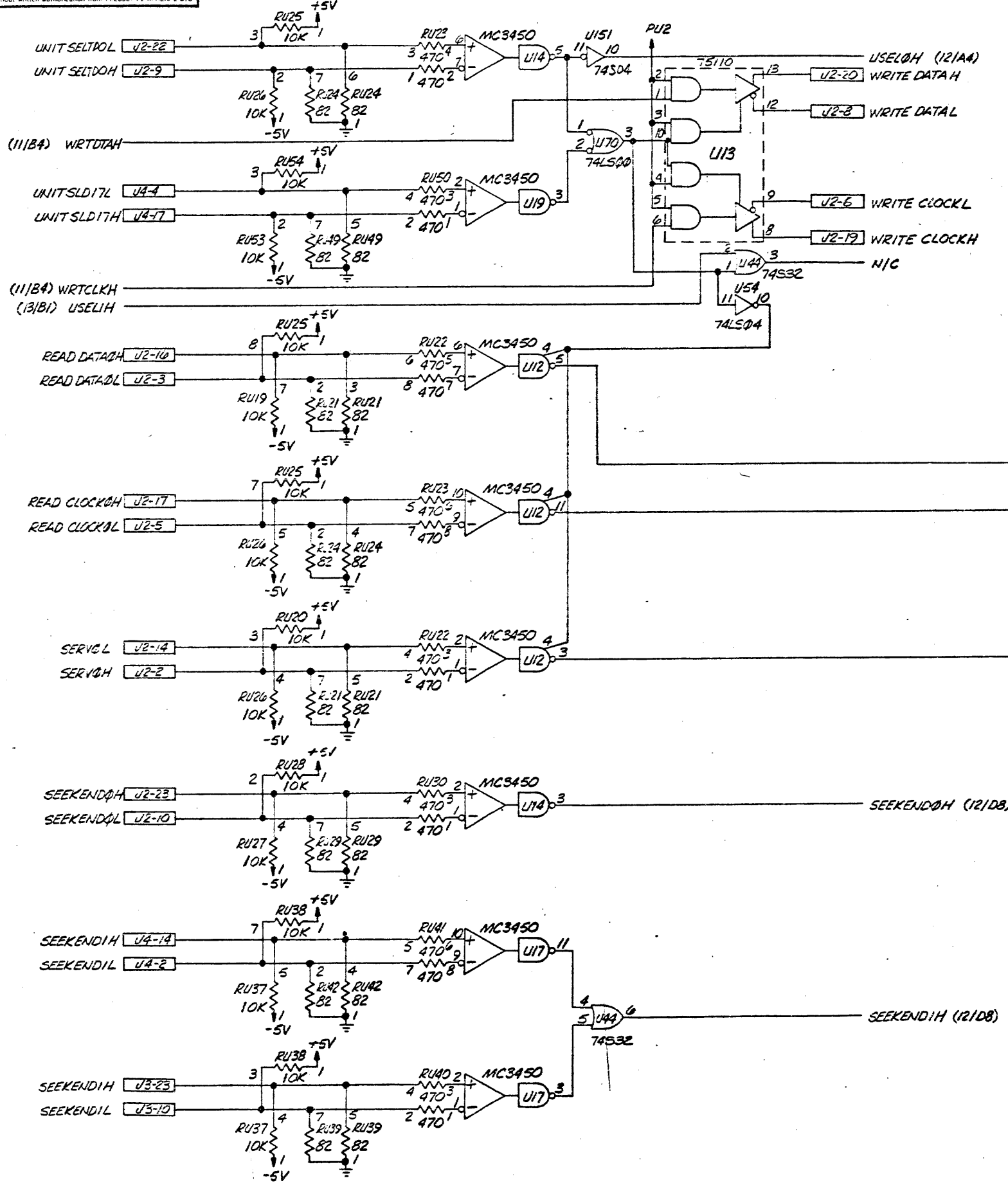







The information herein is the property of PLESSEY PERIPHERAL SYS. Transmittal, receipt or possession of the information does not constitute, or imply any rights to use, sell or manufacture from this information and no reproduction or publication of it, in whole or in part, shall be made without written authorization from PLESSEY PERIPHERAL SYS.

REVISIONS				
ZONE	LTR	DESCRIPTION	DATE	APPROVED
		SEE SHEET 1		



SIZE	CODE IDENT NO.	DWG NO.
D	52648	SD703380
SCALE	SHEET 13 OF 13	
DISTR NO.		

SD703380

PARTS LIST	 <b>Plessey Peripheral Systems</b>	PREPARED BY	E.HERNANDEZ	4-25-79	PARTS LIST NO.	PL 703380-100	REV LTR	D	
		CHECKED BY	L. Jenkins	6-18-79					
		RESP ENG	L. Jenkins	6-19-79	CODE IDENT NO.	52648	12345780	SH	1
		APPRV	D. [unclear]	12-7-79				OF	12
		DOC CONTROL	[unclear]	6-16-79	MODEL NO.		PM-DC1100		
PART TITLE: <b>BOARD ASSEMBLY</b> <b>DISC CONTROLLER</b> <b>PM-DC1100</b>									

LTR	DESCRIPTION	DATE	APPROVED	LTR	DESCRIPTION	DATE	APPROVED
A	REL TO PROD PER EO 3287	10-9-79	Lat [unclear]				
B	INCORP EO 33424-14-2	12-7-79	Lat [unclear]				
C	INCORP EO 3479-1	1-28-80	Lat [unclear]				
D	INCORP EO 3524	2-12-80	Lat [unclear]				
<div style="border: 2px solid black; padding: 5px; display: inline-block;"> <b>PRODUCTION RELEASE</b> </div>							

REV STATUS OF SHEETS	REV LTR	D	D	A	A	B	B	A	B	A	D	C
	SHEET	1	2	3	4	5	6	7	8	9	10	11

**PARTS LIST**



**Plessey Peripheral Systems**

CODE IDENT NO.

52648

PARTS LIST NO.

PL703380-100

SH Z

REV LTR

D

CROSS INDEX OF REFERENCE DESIGNATIONS TO FIND NO.

REFERENCE DESIGNATION	FIND NO.	REFERENCE DESIGNATION	FIND NO.	REFERENCE DESIGNATION	FIND NO.	REFERENCE DESIGNATION	FIND NO.
U1	10	U24	31	U117,100,102,128,130	56	Y1	78
U2,3,6,88,89,99,101,127,129	11	U53,121	32	U116	57	U37	79
U4,5,7,8,9,	12	U65	33	U118	58	R1,2,6,12,22,11,29,14,17	80
U10,11,12,14,15	13	U67,122	34	U36	59	R3	81
17,18,19	13	U32	35	U59	60	R4,5,20,27,30	82
U13,16	14	U81,109	36	U131,147	61	U60	83
U20 THRU 23	15	U34	37	U132,133,134,135	62	R7,8,9	84
U155	16	U71,72,73,74	38	142,143,144,145	62	R10,21	85
	16	U97,30	39	U148	63	U146	86
	16	U76,154	40	U149	64	U139	87
U28,47,49,83, THRU 87,120,62	17	U77,78	41	U27	65	R15	88
	17	U80,124,153	42	C1	66	R16,13	89
U26	18	U82	43	C2,3,4,5,8,9,10,11,13,14,15		R18,23,24,28	90
U31,111,68,140,141	19	U90	44	17,18,19,21,22,23,25	67	R19	91
U38,39,61	20	U91,119	45	THRU 36.40 THRU 68		R25,26,31	92
U40,41,64,63	21	U93,125	46	U25	68		93
U42,79	22	U94	47	C6,7	69	RU1 THRU 8,11,14,15,18	100
U43	23	U95	48	U33	70		101
U75,44	24	U96	49	C16,37,39	71	RU12,13,16,17,44,41	10
U45,137,70,29	25	U55	50	C20,38	72	45,50,51,23,22,30	2
U46,123,138,52,151	26	U57	51	C24	73	32,33,40	
U48,66,69,92,150,152	27	U103,104	52	U35	74	RU21,24,29,39,52	103
U50	28	U105,106,107,108	53	U56	75	42,49,34,31,43,46	
U51	29	U170,136	54	CR1,CR2	76	RU9,10,19,20,47,48,53,	104
U54,	30	U112,113,114,115	55	U58	77	54,55,25 THRU 28, 35 THRU 38	



**PARTS LIST**



**Plessey Peripheral Systems**

CODE IDENT NO.  
**52648**

PARTS LIST NO.  
**PL703380-100**

SH **4**

REV LTR  
**A**

REV	SYM	NOTE	QTY REQD	PART OR IDENTIFYING NO.	NOMENCLATURE OR DESCRIPTION	SPECIFICATION	CODE IDENT NO.	ZONE	FINO	SYM	C/I USAGE				
											C/I CODE	INV ON HAND	P A R	UNIT COST	
			1	703379-001	PRINTED WIRING BOARD				1						
			1	701708-001	STIFFENER				2						
			2	701568-001	SPACER, MOLDED, HEX PWB				3						
									4						
									5						
			35	530153-2	JUMPER CLIP	AMP			6						
			95	75401-001	PIN, .025 SQ, LOOSE PIECE	BERG			7						
									8						
									9						
			1	AM2902A	I.C./HI SPEED LOOK AHEAD CARRY GENERATOR	AMD			10						
			9	SN74LS273	I.C./OCTAL D-TYPE FLIP/FLOP	T.I.			11						
			5	MC3453	I.C./QUAD LINE DRIVER	MOTOROLA			12						
			8	MC3450	I.C./QUAD LINE RECEIVER	MOTOROLA			13						



**PARTS LIST**



**Plessey  
Peripheral Systems**

CODE IDENT NO.

52648

PARTS LIST NO.

PL703380-100

SH 5

REV LTR

B

REV	NOTE	QTY REQD	PART OR IDENTIFYING NO.	NOMENCLATURE OR DESCRIPTION	SPECIFICATION	CODE IDENT NO.	ZONE	FINO.	SYM	C/I USAGE			
										C/I CODE	INV ON HAND	P A R	UNIT COST
		2	MC7510	IC./ DUAL LINE DRIVER	MOTOROLA			14					
		4	AM2901B	IC./ 4 BIT BI-POLAR MICROPROCESSOR SLICE	AMD			15					
B		1	SN75452	IC./ DUAL PERIPHERAL POS-NAUD DRIVER	T.I.			16					
		10	SN74S374	IC./ OCTAL D-TYPE FLIP/FLOP	T.I.			17					
		1	100153-100	IC./ PROM 3-STATE OUTPUTS				18					
		5	136000-038	IC./ QUAD 2-INPUT POS NAND BUFFER W/O				19					
		3	AM2911	IC./ 4 BIT MICROPROCESSOR SEQUENCER	AMD			20					
		4	SN74S251	IC./ DATA SELECTOR / MULTIPLEXER	T.I.			21					
		2	SN74S08	IC./ QUAD 2-INPUT POS & GATE	T.I.			22					
		1	SN74LS259	IC./ DATA SELECTOR / MULTIPLEXER	T.I.			23					
		2	SN74S32	IC./ QUAD 2-INPUT POS-OR-GATE	T.I.			24					
		4	SN74LS00	IC./ QUAD 2-INPUT POS-NAND-GATE	T.I.			25					
		5	SN74S04	IC./ HEX INVERTER	T.I.			26					

**PARTS LIST**



**Plessey Peripheral Systems**

CODE IDENT NO.  
52648

PARTS LIST NO.  
PL703380-100

SH 6

REV LTR  
A

REV LTR	NOTE	QTY REQD	PART OR IDENTIFYING NO.	NOMENCLATURE OR DESCRIPTION	SPECIFICATION	CODE IDENT NO.	ZONE	FINO.	SYM	C/I USAGE			
										C/I CODE	INV ON HAND	P A R	UNIT COST
		6	SN74S74	IC/ DUAL D-TYPE POS-EDGE TRIG F/F W/PRESET /CLEAR	T.1.			27					
		1	SN74S158	IC/ QUAD 2-LINE TO 1-LINE DATA SELECTOR/MULTIPLEXER	T.1.			28					
		1	SN74S153	IC/ DUAL 4-LINE TO 1-LINE DATA SELECTOR/MULTIPLEXER	T.1.			29					
		1	SN74LS04	IC./ HEX INVERTER	T.1.			30					
		1	100153-101	IC./PROM 3-STATE OUTPUTS				31					
		2	SN74LS08	IC/ QUAD-2-INPUT POS-AND-GATE	T.1.			32					
		1	SN74LS161	IC/ SYNCHRONOUS 4 BIT COUNTER	T.1.			33					
		2	SN74S175	IC./ HEX/ QUAD D-TYPE F/F W/CLEAR	T.1.			34					
		1	100153-102	IC./PROM 3-STATE OUTPUTS				35					
		2	SN74LS74	IC/ DUAL D-TYPE POS EDGE TRIG F/F W/PRESET /CLEAR	T.1.			36					
		1	100153-103	IC./PROM 3-STATE OUTPUTS				37					
		4	9403 PC	IC./ FIFO BUFFER MEMORY	FAIRCHILD			38					
		2	SN74123	IC./ DUAL RETRIG MONO MULTI W/CLR	T.1.			39					

**PARTS LIST**



**Plessey  
Peripheral Systems**

CODE IDENT NO.  
52648

PARTS LIST NO.


PL 703380-100

SH 7

REV LTR

B

QTY REQD	PART OR IDENTIFYING NO.	NOMENCLATURE OR DESCRIPTION	SPECIFICATION	CODE IDENT NO.	ZONE	FINO.	SYM	C/I USAGE				
								C/I CODE	INV ON HAND	P A R	UNIT COST	
2	SN74S10	I.C./ TRIPLE 3-INPUT POS-NAND-GATE	T.1.			40						
B 2	MK4118-N-2	I.C./ 1K X 8 STATIC RAM	MOSTEK			41						
3	SN74S02	I.C./ QUAD 2-INPUT POS-NOR-GATE	T.1.			42						
1	SN74S174	I.C./ HEX QUAD D-TYPE F/F WITH COUNTER	T.1.			43						
1	SN74LS157	I.C./ QUAD 2-LINE TO 1-LINE SELECTOR/MULTIPLEXOR W/3 STATE OUTPT	T.1.			44						
2	SN74LS165	I.C./ PARALLEL-LOAD 8 BIT SHIFT REGISTER	T.1.			45						
2	SN74S00	I.C./ QUAD 2-INPUT POS-NAND-GATE	T.1.			46						
1	SN74S51	I.C./ DUAL 2-WIDE 2-INPUT AND-OR-INVERT GATES	T.1.			47						
1	SN74S139	I.C./ DECODER/DEMULTIPLEXER	T.1.			48						
1	SN74LS191	I.C./ SYN UP/DOWN COUNTERS WITH DOWN/UP MODE CONT	T.1.			49						
1	100153-104	I.C./ PROM 3-STATE OUTPUTS				50						
1	100153-105	I.C./ PROM 3-STATE OUTPUTS				51						
2	DM 8136	I.C./ 6 BIT UNIFIED BUS COMPARATOR	NATIONAL			52						

PARTS LIST		 <b>Plessey Peripheral Systems</b>			CODE IDENT NO. 52648	PARTS LIST NO. PL 703380-100	SH <u>8</u>	REV LTR A					
REV CHG	NOTE	QTY REQD	PART OR IDENTIFYING NO.	NOMENCLATURE OR DESCRIPTION	SPECIFICATION	CODE IDENT NO.	ZONE	FIN D	SYM	C/I USAGE			
										C/I CODE	INV ON HAND	P A R	UNIT COST
		4	AM29701	I.C./NON INVERTING 64 BIT RAM	AMD			53					
		2	DS8641	I.C./ QUAD UNIFIED BUS TRANSCIEVER	NATIONAL			54					
		4	SN74S138	I.C./ DECODER MULTIPLEXER	T.I.			55					
		5	SN74LS244	I.C./ OCTAL BUFFER/LINE DRIVER LINE RECIEVER	T.I.			56					
		1	136004- 001	I.C./OCTAL D-TYPE FLIP/FLOP				57					
		1	100154-100	I.C./ 256-BIT PROM 3 STATE OUTPUTS				58					
		1	100153-106	I.C./ PROM 3-STATE OUTPUTS				59					
		1	100153-107	I.C./ PROM 3-STATE OUTPUTS				60					
		2	SN74S86	I.C./ QUAD 2-INPUT EXCLUSIVE-OR GATE	T.I.			61					
		8	AM2908	I.C./QUAD BUS TRANSCIEVER	AMD			62					
		1	DS8640	I.C./ QUAD NOR UNIFIED BUS RECEIVER	NATIONAL			63					
		1	SN74LS02	I.C./ QUAD 2-INPUT POS-NOR GATE	T.I.			64					
		1	100153-108	I.C./ PROM 3-STATE OUTPUTS				65					

## PARTS LIST



**Plessey**  
Peripheral Systems

CODE IDENT NO.

52648

PARTS LIST NO.

PL 703380-100

SH 9

REV LTR

B

REV LTR	NOTE	QTY REQD	PART OR IDENTIFYING NO.	NOMENCLATURE OR DESCRIPTION	SPECIFICATION	CODE IDENT NO.	ZONE	FIN D	SYM	C/I USAGE			
										C/I CODE	INV ON HAND	P A R	UNIT COST
		1	150D106X 9010B2	CAPACITOR/10UF, ±10%, 10V	SPRAGUE			66					
B		58	CGA103ZDZ	CAPACITOR/.01UF, <sup>+80</sup> / <sub>-20</sub> %, 50V	UNITRODE			67					
		1	100153-109	I.C./PROM 3-STATE OUTPUTS				68					
		2	CD15FC B21J03	CAPACITOR/820PF, ±5%, 300V	CORNELL DUBILIER			69					
		1	100153-110	I.C./PROM 3-STATE OUTPUTS				70					
		3	150D475X 9035B2	CAPACITOR/4.7UF, ±10%, 35V	SPRAGUE			71					
		2	CD15FD 331J03	CAPACITOR/330PF, ±5%, 500V	CORNELL DUBILIER			72					
		1	CD19FD 222J03	CAPACITOR/2200PF, ±5%, 500V	CORNELL DUBILIER			73					
		1	100153-111	I.C./PROM 3-STATE OUTPUTS				74					
		1	100153-112	I.C./PROM 3-STATE OUTPUTS				75					
		2	138000 -001	DIODE				76					
		1	100153-113	I.C./PROM 3-STATE OUTPUTS				77					
		1	MX0-40-2 -15.0MHZ	OSCILLATOR/15 MHZ, CRYSTAL	CTS			78					



**PARTS LIST**



**Plessey Peripheral Systems**

CODE IDENT NO.  
**52648**

PARTS LIST NO.

**PL 703380-100**

SH 10

REV LTR  
**A**

QTY REQD	PART OR IDENTIFYING NO.	NOMENCLATURE OR DESCRIPTION	SPECIFICATION	CODE IDENT NO.	ZONE	FINO.	SYM	C/I USAGE			
								C/I CODE	INV ON HAND	P A R	UNIT COST
1	100153-114	I.C./PROM 3-STATE OUTPUTS				79					
9	RC07GF103J	RESISTOR/10K, ±5%, 1/4W	MIL-R-11			80					
1	RC07GF201J	RESISTOR/200Ω, ±5%, 1/4W	MIL-R-11			81					
5	RC07GF102J	RESISTOR/1K, ±5%, 1/4W	MIL-R-11			82					
1	100153-115	I.C./PROM 3-STATE OUTPUTS				83					
3	RC07GF203J	RESISTOR/20K, ±5%, 1/4W	MIL-R-11			84					
2	RC07GF151J	RESISTOR/150Ω, ±5%, 1/4W	MIL-R-11			85					
1	100154-101	I.C./ 256 PROM 3 STATE OUTPUTS				86					
1	700066-196	ADDRESS STRAPPING PLUG				87					
1	RC07GF303J	RESISTOR/30K, ±5%, 1/4W	MIL-R-11			88					
1	RC07GF471J	RESISTOR/470K, ±5%, 1/4W	MIL-R-11			89					
4	RC07GF181J	RESISTOR/180Ω, ±5%, 1/4W	MIL-R-11			90					
1	225SR000J	RESISTOR/5Ω, 5W	OHMITE			91					

**PARTS LIST**



**Plessey  
Peripheral Systems**

CODE IDENT NO.  
52648

PARTS LIST NO.

PL 703380-100

SH 11

REV LTR

D

REV LTR	NOTE	QTY REQD	PART OR IDENTIFYING NO.	NOMENCLATURE OR DESCRIPTION	SPECIFICATION	CODE IDENT NO.	ZONE	FINO. D	SYM	C/I USAGE			
										C/I CODE	INV ON HAND	P A R	UNIT COST
D		3	RCØ7GF391J	RESISTOR/390Ω, ±5%, 1/4 W	MIL-R-11			92					
		3	US-2-16 -110-G-B	SOCKET, 16 PIN	SCANBE			93					
		1	111-1001 -1	INSERTER/EXTRACTOR LEFT HAND	CALMARK			94					
		1	111-1001 -2	INSERTER/EXTRACTOR RIGHT HAND	CALMARK			95					
		4	SE-46 NICKEL PL	EYELET	U.S.M.			96					
		2	SE-410 NICKEL PL	EYELET	U.S.M.			97					
B		8	901-040	SPACER/NYLON, .040 THK	BIVAR INC.			98					
		16	US-2-20 -110-G-B	SOCKET, 20 PIN	SCANBE			99					
		12	750-81-R56	RESISTOR MODULE/ 56Ω	CTS			100					
		2	US-2-24 -110-G-B	SOCKET, 24 PIN	SCANBE			101					
		15	750-83-R470	RESISTOR MODULE/ 470Ω	CTS			102					
		11	750-81-R82	RESISTOR MODULE/ 82Ω	CTS			103					
		17	100013-021	RESISTER MODULE/ 10KΩ	CTS			104					

**PARTS LIST**



**Plessey Peripheral Systems**

CODE IDENT NO.  
52648

PARTS LIST NO.

PL 703380-100

SH 12

REV LTR

C

SEC NUMBER	NOTE	QTY REQD	PART OR IDENTIFYING NO.	NOMENCLATURE OR DESCRIPTION	SPECIFICATION	CODE IDENT NO.	ZONE	FIN O. D.	SYM	C/I USAGE			
										C/I CODE	INV ON HAND	P A R	UNIT COST
		3	C42315 -A60-A2	SWITCH	SIEMENS			1.00					
		1	UA7905KC	VOLTAGE REGULATOR	FAIRCHILD			1.00					
		1	3372-1003	CONNECTOR/60PIN	3M			1.00					
		3	3A29-1003	CONNECTOR/26PIN	3M			1.00					
C		2	MS51957-27	SCREW/6-32 X 5/16 PAN HD				1.11					
		2	MS35338-136	WASHER/ #6 LOCK				1.12					
		2	MS35649-262	NUT/6-32 HEX				1.13					
		REF	SD703380	SCHEMATIC DIAGRAM									

ASON TO Clean UP Latest  
REV ARTWORK AND INCORPORATE  
DESIGN CHANGES PM-DC1100

PREP J. ERICSON	2-15-80	TEST PROCED	CLASS IIA
CHK L. Gumbie	2-15-80		
PROD ENGR [Signature]	2-20-80	EO TYPE	
PROD CONT [Signature]	2-20-80	RELEASE	
MECH DSGN [Signature]	2-15-80	CHANGE	X
DES ENGR [Signature]	2-15-80	STOP	
MFG ENGR [Signature]	2/20	LIFT	
QA [Signature]	2/20/80	VARIATION	
DOC CONT [Signature]	2-21-80	ATTACHED	

EFFECTIVITIES	
REVISED PARTS 703379	LOT/SN NEXT BUY
NEXT ASSY 703380	S/N
UNIT/SYS ASSY DC1100	S/N

DOCUMENTS AFFECTED		REV		DISPOSITION				INCORPORATE	
DWG NO	DESCRIPTION	WAS	IS	ACTION	PARTS		ASSYS		DISTRIBUTION
					ON ORDER	COMPL	IN PROC	COMPL	
AP 703379	ARTWORK	C	D						PROD CONT X
MP 703379	TAPE	C	D	USE AS IS	X	X	X	X	MFG ENGR X
703379	PWB MASTER	B	C						QA X
703380	ASSY	E	F	REWORK					ENGR RECORDS X
									ABCDEFWS 2
				OBS					

AD 140 703379  
REVISE ARTWORK TO FIX FOLLOWING PROBLEMS

- INTERLAYER VCC TO GND SHORTS  
LEFT SIDE C47  
LEFT SIDE C56
- LEFTSIDE C14 USES SIGNAL FEEDTHRU FOR GND FEED.
- ADD ETCH TO ALLOW CONNECTION OF 390 OHM 1/4W RESISTOR FROM U127-10 TO U127-11.
- REROUTE ETCH FROM U127-11 TO U125-6, U44-10  
CURRENT ETCH RUNS FROM U125-6 TO U127-11  
ALONG BOTTOM EDGE OF BOARD. CAUSES ECC ERRORS DUE TO BUS NOISE. RUN ETCH FROM U125-6 TO U44-10 THEN FROM U44-10 TO U127-11



5. REVISE ETCH TO INCORPORATE FOLLOWING CHANGE

WAS:

U123-6 TO U92-11

U92-11 TO U16-6, U13-6

IS:

U123-6 TO U92-11

U123-5 TO U16-6, U13-6

703379, 703380, REVISE PER NEW A/W

NOTE: SCHEMATIC CORRECTED ON EO 3524